

1" Engine Driven Utility Pumps

- **Aluminum Construction**
- **Buna-N Mechanical Seal and O-Ring**
- **1" NPT Port Sizes**
- **Portable, Lightweight**
- **Self-Priming**
- **Semi-Open, Clog Resistant Impeller**
- **Engine 4-Cycle Options:**

NEW FOR 2015

Model SP/1G1XH/SXB

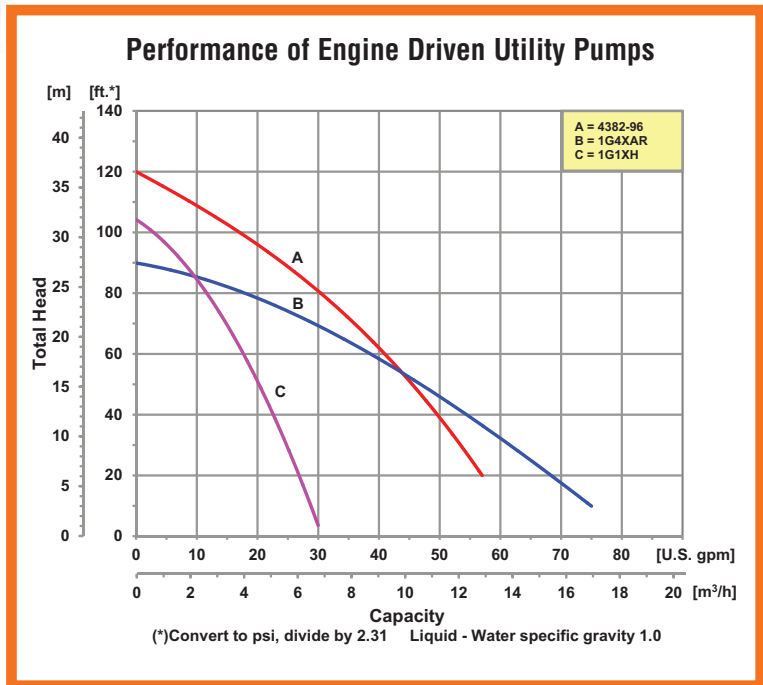


Model SP/1G1XH/SXB: Honda GX25
Model SP/438296/SXB: Honda GXH50
Model SP/1G4XAR/SXB: Briggs & Stratton



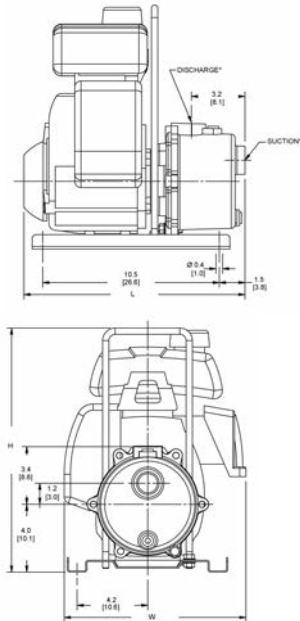
Model SP/1G4XAR/SXB

This line of Engine Driven Utility pumps offers economy, durability, portability and performance all in one neat package. Ideal for general purpose dewatering, irrigation, spraying, washdown and agricultural applications.



Engine Driven Utility Pumps

1" Utility Pumps



SP/438296/SXB

shown

Model	Curve	Driver	Run Time (Hours)	Tank Size (Gal./Ltr.)	Ship Wt. (Lbs.)
SP/1G1XH/SXB	C	Honda GX25	1.2	0.15/0.57	16
SP/438296/SXB	A	Honda GXH50	2	0.20/0.76	25

Construction: Cast Aluminum

Maximum Solids Handling Capacity: 3/32" Diameter

Standard Features (SP/1G1XH/SXB)

Standard Features (SP/438296/SXB)

- Buna-N Mechanical Seal
- O-ring Casing Seal
- Carry Handle & Base Included
- Self-primers to 26 Ft. with Built-in Check Valve
- Maximum Temperature 180° F
- Maximum Working Pressure 75 PSI
- Delivers up to 46 PSI
- Maximum 30 GPM

- Buna-N Mechanical Seal
- O-ring Casing Seal
- Carry Handle & Steel Base Included
- Self-primers to 15 Ft. with Built-in Check Valve
- Replaceable Volute
- Maximum Temperature 180° F
- Maximum Working Pressure 75 PSI
- Delivers up to 52 PSI
- Maximum 59 GPM

1" Utility Pump

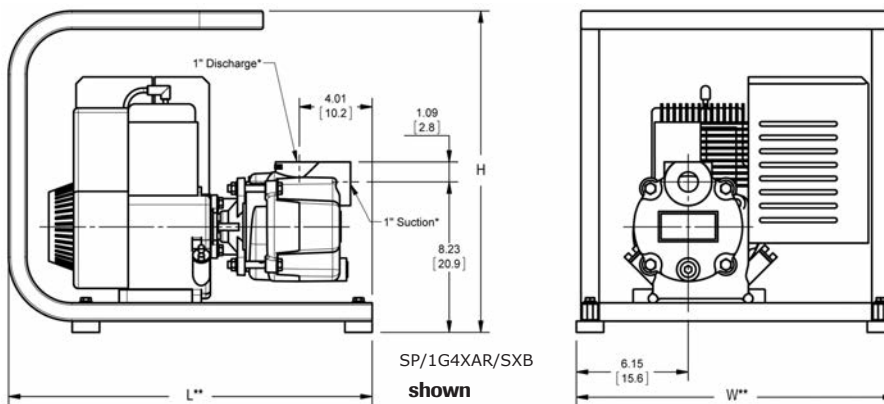
Model	Curve	Driver	Run Time (Hours)	Tank Size (Gal./Ltr.)	Ship Wt. (Lbs.)
SP/1G4XAR	B	Briggs & Stratton	1.2	0.52/2.0	40

Construction: Cast Aluminum

Maximum Solids Handling Capacity: 1/4" Diameter

Standard Features

- (2) Garden Hose Adapters
- Buna-N Mechanical Seal and O-ring
- O-ring Casing Seal
- Semi-open, Clog Resistant Impeller
- Self-primers to 15 Ft.
- Maximum Temperature 180° F
- Maximum Working Pressure 75 PSI
- Delivers up to 39 PSI
- Dual Volute Design
- Maximum of 75 GPM
- Includes Heavy Duty Steel Roll Frame
- QSP – Quick Ship Pump



SP/1G4XAR/SXB

shown

Model	HP Class ♦	Curve	SUC*	DIS*	L**	W**	H
SP/1G1XH/SXB	1 HP	C	1	1	15.0 [38.1]	10.0 [15.4]	13.0 [33.0]
SP/438296/SXB	2 HP	A	1	1	13.2 [33.5]	10.8 [27.4]	14.6 [37.0]
SP/1G4XAR/SXB	4 HP	B	1	1	20.0 [50.8]	17.5 [44.4]	17.6 [44.7]

♦ HP Class represents market category and is not intended to define actual horsepower.

(*) Standard NPT (Female) pipe thread.

(**) This dimension may vary due to engine manufacturer's specifications.

NOTE: Dimensions are in inches (centimeters) and have a tolerance of ± 1/8".